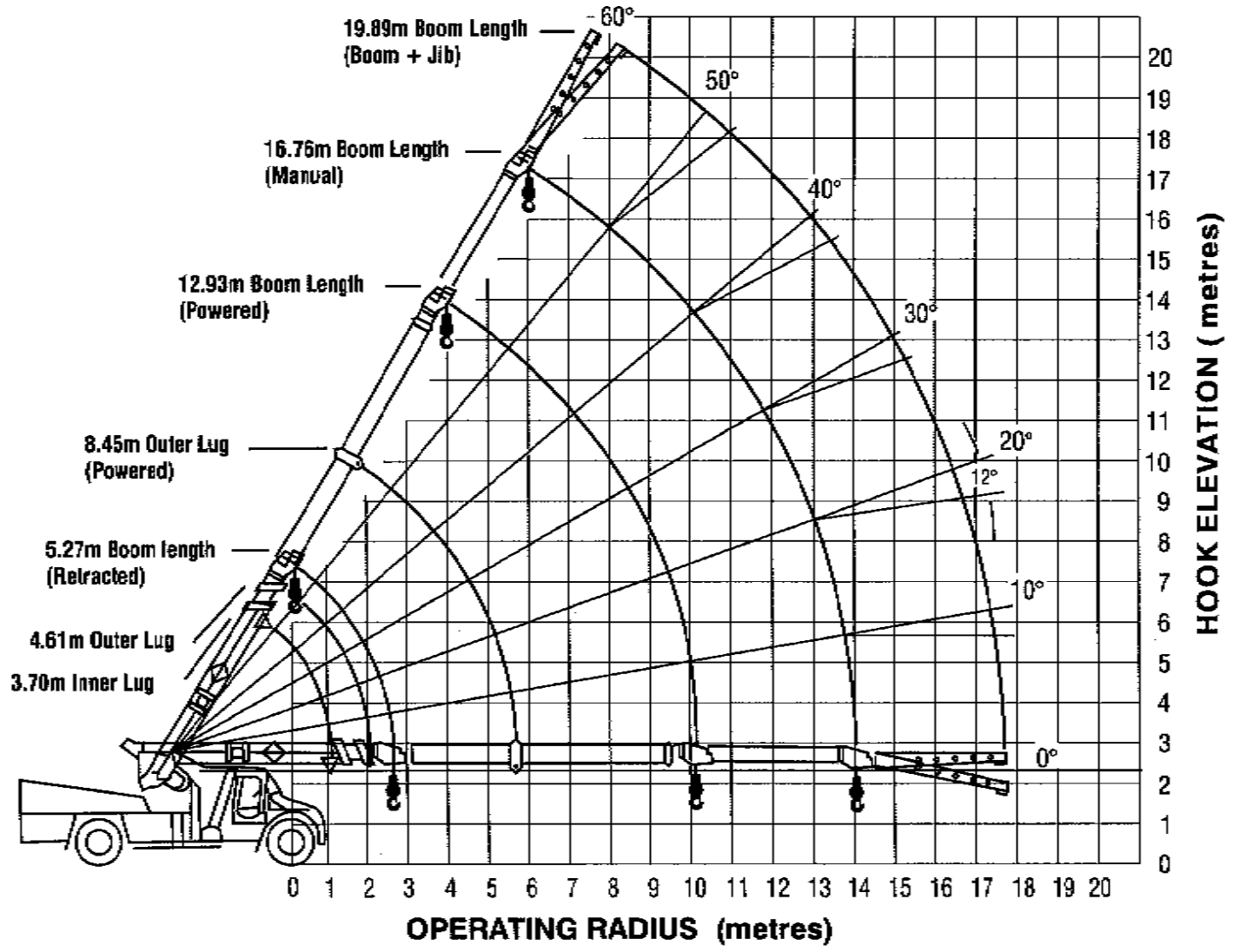


XCMG ARC-22 ARTICULATED HYDRAULIC CRANE CHART 0

WORKING RADIUS - LIFTING HEIGHT DIAGRAM

TOTAL RATED LOAD IN KILOGRAMS
THIS DOCUMENT SHOULD BE READ IN CONJUNCTION WITH THE ROADWAY UNIT



Note:

1. This Rated Capacity chart is for use on firm, flat, level ground (to within 1% gradient / 0.6°), according to AS1418.5, any deviation from this requires that the Rated Capacity shall be reduced (refer to Percentage Deration Chart).
2. The Rated Capacity is dependent upon the location of the lifting point on the boom.
3. Ensure before operating on side slopes the operator has a thorough understanding of both the ARC-22 Information Package and Rated Capacity Manual.

XCMG ARC-22

ARTICULATED HYDRAULIC CRANE

CHART 1

PICK UP AND CARRY ON MAIN BOOM

TOTAL RATED LOAD IN KILOGRAMS

THIS DOCUMENT SHOULD BE READ IN CONJUNCTION WITH THE ROADWAY UNIT

BOOM LENGTH (m)	5.27m				6.0m				7.0m				8.0m				9.0m				10.0m				11.0m				12.0m				12.93m				BOOM LENGTH (m)
	WORKING RADIUS (m)	BOOM ANGLE (°)	ARTICULATION		BOOM ANGLE (°)	ARTICULATION		BOOM ANGLE (°)	ARTICULATION		BOOM ANGLE (°)	ARTICULATION		BOOM ANGLE (°)	ARTICULATION		BOOM ANGLE (°)	ARTICULATION		BOOM ANGLE (°)	ARTICULATION		BOOM ANGLE (°)	ARTICULATION		BOOM ANGLE (°)	ARTICULATION		WORKING RADIUS (m)								
			LESS THAN 10°	GREATER THAN 10°		LESS THAN 10°	GREATER THAN 10°		LESS THAN 10°	GREATER THAN 10°		LESS THAN 10°	GREATER THAN 10°		LESS THAN 10°	GREATER THAN 10°		LESS THAN 10°	GREATER THAN 10°		LESS THAN 10°	GREATER THAN 10°		LESS THAN 10°	GREATER THAN 10°		LESS THAN 10°	GREATER THAN 10°		LESS THAN 10°	GREATER THAN 10°	LESS THAN 10°	GREATER THAN 10°				
			LOAD (kg)	LOAD (kg)		LOAD (kg)	LOAD (kg)		LOAD (kg)	LOAD (kg)		LOAD (kg)	LOAD (kg)		LOAD (kg)	LOAD (kg)		LOAD (kg)	LOAD (kg)		LOAD (kg)	LOAD (kg)		LOAD (kg)	LOAD (kg)		LOAD (kg)	LOAD (kg)		LOAD (kg)	LOAD (kg)	LOAD (kg)	LOAD (kg)	LOAD (kg)	LOAD (kg)	LOAD (kg)	
1.00	46.0	16,800	13,500																										1.00								
1.50	37.7	16,800	13,500	46.2	16,800	12,800																							1.50								
2.00	27.4	16,800	13,500	39.1	16,800	12,800	49.6	16,500	12,600																				2.00								
2.50	9.6	13,800	12,200	30.6	13,800	12,000	44.0	13,500	11,700	50.1	13,200	11,700	55.5	13,100	11,700														2.50								
3.00				18.8	11,400	9,800	37.9	11,100	9,800	45.1	11,000	9,800	51.5	10,800	9,800	55.6	10,700	9,700											3.00								
3.50							30.7	9,400	8,100	40.0	9,400	8,100	47.4	9,400	8,100	52.1	9,300	8,100	56.0	8,500	8,100								3.50								
4.00							21.5	8,100	7,000	33.6	8,100	7,000	42.9	8,100	7,000	48.3	8,000	7,000	52.8	7,800	7,000	56.4	6,800	6,600	59.0	6,200	6,200	4.00									
4.50										28.3	7,300	6,300	38.0	7,100	6,200	44.3	7,000	6,100	49.4	6,900	6,100	53.4	6,100	6,100	56.4	5,800	5,800	4.50									
5.00										16.2	6,500	5,800	32.5	6,300	5,400	40.0	6,200	5,400	45.9	6,200	5,400	50.4	5,700	5,500	53.7	5,200	5,200	5.00									
6.00													17.3	5,000	4,300	28.9	4,900	4,300	38.1	4,900	4,300	43.9	4,900	4,200	47.9	4,800	4,200	6.00									
7.00																14.5	4,400	3,700	28.5	4,200	3,600	36.4	4,200	3,500	41.6	4,000	3,500	7.00									
8.00																		13.9	3,500	3,000	27.3	3,500	3,200	34.4	3,400	3,000	8.00										
9.00																					13.0	3,000	2,500	25.4	3,000	2,500	9.00										
10.00																													10.00								

NOTES :

- 1.0 These capacities are based on the condition that the crane is standing horizontally on firm ground with no incline.
- 2.0 Total rated loads do not exceed 66.6% of tipping load.
- 3.0 The radii shown in the above chart includes the deflection of the loaded boom.
- 4.0 The weight of the hook block (Main 125kg, Auxiliary 30kg), slings and all load handling devices must be added to the weight of the load.
- 5.0 Standard number of part lines for each boom length are as shown below.
Load per line should not surpass 4200kg. on the main hoist rope line.

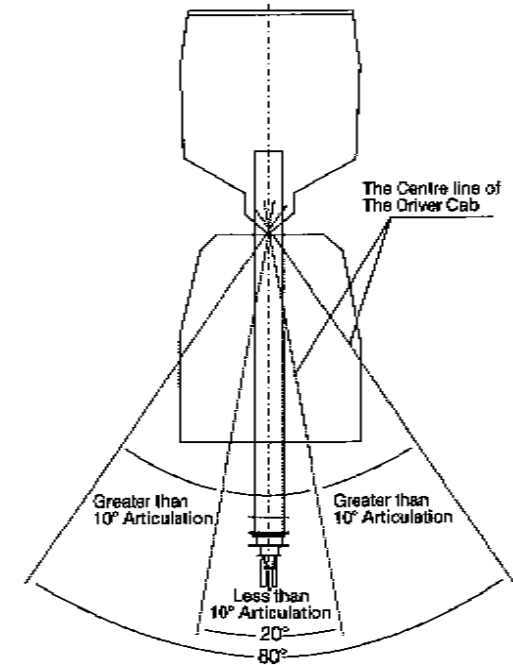
BOOM LENGTH	5.27m	6.0m	7.0m	8.0m	9.0m	10.0m	11.0m	12.0m	12.93m
No. OF PART LINES	4	4	4	4	4	4	4	4	4

- 6.0 Particular care must be taken to establish the correct degree of body articulation and reference the above chart accordingly.
The boom angle and radius shown in the above chart must not be exceeded at any time.
- 7.0 Special weather caution: Do not operate crane in wind exceeding 10m/sec.

FIXED LUG BOOM LENGTH 3.70(m)			
WORKING RADIUS (m)	BOOM ANGLE (°)	ARTICULATION	
		LESS THAN 10°	GREATER THAN 10°
		LOAD (kg)	LOAD (kg)
0.90	30.0	22,000	20,000
1.14	20.0	22,000	20,000
1.25	10.0	20,000	20,000
1.24	0.0	20,000	20,000

HOIST ROPE SIZE	
14mm Powerform x 95 metres length	

TYRE SIZE	
Front	4 X 12.00 - 20 18PR
Rear	4 X 12.00 - 20 18PR



WORKING RADIUS DIAGRAM

XCMG ARC-22

ARTICULATED HYDRAULIC CRANE

CHART 2

PICK UP AND CARRY ON OUTER TELESCOPING LUG

TOTAL RATED LOAD IN KILOGRAMS

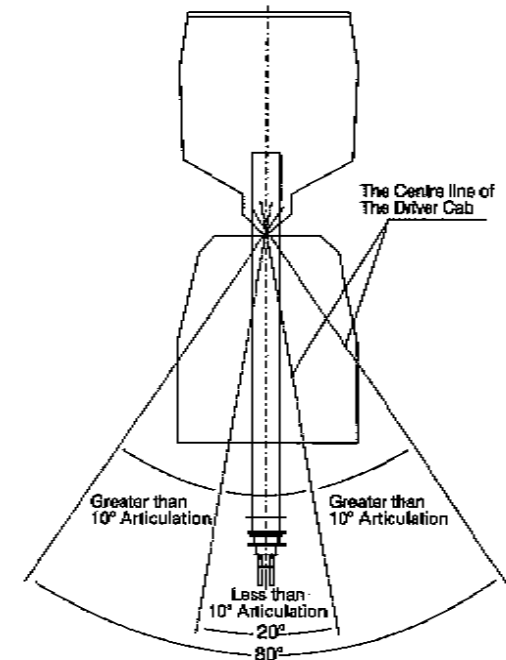
THIS DOCUMENT SHOULD BE READ IN CONJUNCTION WITH THE ROADWAY UNIT

BOOM LENGTH (m)	4.61m				5.3m				5.8m				6.3m				6.8m				7.3m				7.8m				8.3m				8.45m				BOOM LENGTH (m)
	WORKING RADIUS (m)	BOOM ANGLE (°)	ARTICULATION		BOOM ANGLE (°)	ARTICULATION		BOOM ANGLE (°)	ARTICULATION		BOOM ANGLE (°)	ARTICULATION		BOOM ANGLE (°)	ARTICULATION		BOOM ANGLE (°)	ARTICULATION		BOOM ANGLE (°)	ARTICULATION		BOOM ANGLE (°)	ARTICULATION		BOOM ANGLE (°)	ARTICULATION		WORKING RADIUS (m)								
			LESS THAN 10°	GREATER THAN 10°		LESS THAN 10°	GREATER THAN 10°		LESS THAN 10°	GREATER THAN 10°		LESS THAN 10°	GREATER THAN 10°		LESS THAN 10°	GREATER THAN 10°		LESS THAN 10°	GREATER THAN 10°		LESS THAN 10°	GREATER THAN 10°		LESS THAN 10°	GREATER THAN 10°		LESS THAN 10°	GREATER THAN 10°		LESS THAN 10°	GREATER THAN 10°	LESS THAN 10°	GREATER THAN 10°				
			LOAD (kg)	LOAD (kg)		LOAD (kg)	LOAD (kg)		LOAD (kg)	LOAD (kg)		LOAD (kg)	LOAD (kg)		LOAD (kg)	LOAD (kg)		LOAD (kg)	LOAD (kg)		LOAD (kg)	LOAD (kg)		LOAD (kg)	LOAD (kg)		LOAD (kg)	LOAD (kg)		LOAD (kg)	LOAD (kg)	LOAD (kg)	LOAD (kg)	LOAD (kg)	LOAD (kg)	LOAD (kg)	
1.40	28.5	11,800	11,800	40.0	11,800	11,800	45.5	11,800	11,800	50.0	11,800	11,800	53.5	11,800	11,800	56.5	11,800	11,800	58.5	11,800	11,800									1.40							
1.70	19.0	11,800	11,800	35.0	11,800	11,800	41.5	11,800	11,800	46.0	11,800	11,800	50.0	11,800	11,800	53.5	11,800	11,800	56.0	11,800	11,800	58.5	11,500	11,300	59.0	11,400	11,200			1.70							
2.00	0	11,800	11,800	28.5	11,800	11,800	36.5	11,800	11,800	42.5	11,800	11,800	47.0	11,800	11,800	50.5	11,800	11,800	53.5	11,800	11,500	56.0	11,400	11,200	56.5	11,300	11,100			2.00							
2.50				13.5	11,500	11,500				27.0	11,500	11,400	35.0	11,500	11,300	45.0	11,500	11,300	48.5	11,500	11,000	51.5	10,800	10,700	52.5	10,700	10,600			2.50							
3.00										13.0	10,700	9,300	26.5	10,600	9,200	34.0	10,500	9,100	39.5	10,400	9,000	43.5	10,300	8,900	47.0	9,800	9,400	48.0	8,900	8,700	3.00						
3.50													12.5	8,900	7,600	25.5	8,800	7,500	32.5	8,700	7,400	38.0	8,600	7,300	42.0	8,500	7,200	43.5	8,300	7,100	3.50						
4.00																12.0	7,500	6,400	24.5	7,400	6,300	31.5	7,300	6,200	37.0	7,200	6,100	38.0	7,100	6,000	4.00						
4.50																			11.5	6,400	5,400	23.5	6,300	5,300	30.5	6,200	5,100	32.0	6,100	5,100	4.50						
5.00																						11.5	5,600	4,600	23.0	5,500	4,500	25.0	5,700	4,700	5.00						
5.50																															5.50						
5.80																															5.80						

NOTES :

- 1.0 These capacities are based on the condition that the crane is standing horizontally on firm ground with no incline.
- 2.0 Total rated loads do not exceed 66.6% of tipping load.
- 3.0 The radii shown in the above chart includes the deflection of the loaded boom.
- 4.0 The weight of the hook block(Main 125kg, Auxiliary 30kg), slings and all load handling devices must be added to the weight of the load.
- 5.0 Particular care must be taken to establish the correct degree of body articulation and reference the above chart accordingly.
The boom angle and radius shown in the above chart must not be exceeded at any time.
- 6.0 Special weather caution: Do not operate crane in wind exceeding 10m/sec.

HOIST ROPE SIZE	
14mm Powerform x 95 metres length	
TYRE SIZE	
Front	4 X 12.00 - 20 18PR
Rear	4 X 12.00 - 20 18PR



WORKING RADIUS DIAGRAM

XCMG ARC-22 ARTICULATED HYDRAULIC CRANE CHART 3

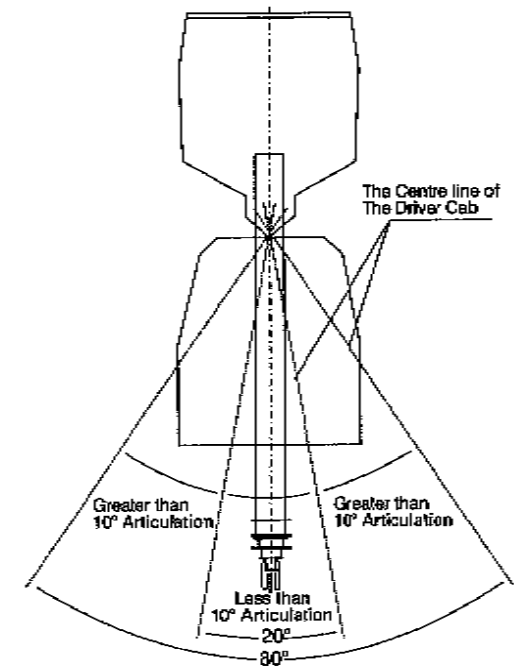
PICK UP AND CARRY WITH RHINO HOOK
TOTAL RATED LOAD IN KILOGRAMS
THIS DOCUMENT SHOULD BE READ IN CONJUNCTION WITH THE ROADWAY UNIT

BOOM LENGTH (m)	5.65m				6.38m				7.38m				8.38m				9.38m				10.38m				11.38m				12.38m				13.31m				BOOM LENGTH (m)
	WORKING RADIUS (m)	ARTICULATION		BOOM ANGLE (°)	ARTICULATION		BOOM ANGLE (°)	ARTICULATION		BOOM ANGLE (°)	ARTICULATION		BOOM ANGLE (°)	ARTICULATION		BOOM ANGLE (°)	ARTICULATION		BOOM ANGLE (°)	ARTICULATION		BOOM ANGLE (°)	ARTICULATION		BOOM ANGLE (°)	ARTICULATION		BOOM ANGLE (°)	WORKING RADIUS (m)								
		LESS THAN 10°	GREATER THAN 10°		LESS THAN 10°	GREATER THAN 10°		LESS THAN 10°	GREATER THAN 10°		LESS THAN 10°	GREATER THAN 10°		LESS THAN 10°	GREATER THAN 10°		LESS THAN 10°	GREATER THAN 10°		LESS THAN 10°	GREATER THAN 10°		LESS THAN 10°	GREATER THAN 10°		LESS THAN 10°	GREATER THAN 10°			LESS THAN 10°	GREATER THAN 10°	LESS THAN 10°	GREATER THAN 10°	LESS THAN 10°	GREATER THAN 10°		
1.00	48.9	10,000	10,000																												1.00						
1.50	41.6	10,000	10,000	50.3	10,000	10,000																									1.50						
2.00	33.0	10,000	10,000	44.3	10,000	10,000	51.5	10,000	10,000																							2.00					
2.50	21.5	10,000	10,000	37.4	10,000	10,000	46.4	10,000	10,000	52.7	10,000	10,000	57.1	10,000	10,000																	2.50					
3.00				29.3	10,000	10,000	40.8	10,000	10,000	48.3	10,000	10,000	53.5	10,000	10,000	57.7	10,000	9,900														3.00					
3.50							34.5	9,300	8,100	43.6	9,300	8,100	49.6	9,300	8,100	54.3	8,800	8,100	57.4	8,400	8,100											3.50					
4.00							28.8	8,100	7,000	38.4	8,100	7,000	45.5	8,100	7,000	51.0	7,800	7,000	54.3	7,700	7,000	58.0	6,800	6,400	60.0	6,200	6,200				4.00						
4.50							16.2	7,200	6,200	32.7	7,000	6,100	47.8	7,000	6,100	47.8	7,000	6,100	51.0	6,900	6,100	56.3	6,000	5,700	57.2	5,800	5,700				4.50						
5.00										26.5	6,300	5,400	38.1	6,300	5,400	40.6	6,200	5,400	47.8	6,200	5,400	52.4	5,700	5,500	54.6	5,200	5,200				5.00						
6.00													24.0	5,000	4,300	32.0	5,000	4,300	40.6	5,000	4,300	46.3	4,800	4,200	49.1	4,800	4,200				6.00						
7.00																20.6	4,300	3,600	32.0	4,200	3,600	39.5	4,000	3,500	43.1	4,000	3,500				7.00						
8.00																			20.6	3,600	3,000	31.5	3,400	3,200	35.2	3,400	3,000				8.00						
9.00																						20.9	3,000	2,500	28.0	3,000	2,500				9.00						
10.00																															10.00						

NOTES :

- 1.0 These capacities are based on the condition that the crane is standing horizontally on firm ground with no incline.
- 2.0 Total rated loads do not exceed 66.6% of tipping load.
- 3.0 The radii shown in the above chart includes the deflection of the loaded boom.
- 4.0 The weight of the slings and all load handling devices must be added to the weight of the load.
- 5.0 Particular care must be taken to establish the correct degree of body articulation and reference the above chart accordingly.
The boom angle and radius shown in the above chart must not be exceeded at any time.
- 6.0 Special weather caution: Do not operate crane in wind exceeding 10m/sec.

HOIST ROPE SIZE	
14mm Powerform x 95 metres length	
TYRE SIZE	
Front	4 X 12.00 - 20 18PR
Rear	4 X 12.00 - 20 18PR



WORKING RADIUS DIAGRAM

XCMG ARC-22

ARTICULATED HYDRAULIC CRANE

CHART 4

BOOM, MANUAL EXTENSION, AND JIB

TOTAL RATED LOAD IN KILOGRAMS

THIS DOCUMENT SHOULD BE READ IN CONJUNCTION WITH THE ROBYWAY UNIT

BOOM + MANUAL EXT'N MAX LENGTH 19.89(m) WITH JIB OFFSET @ 0°			
WORKING RADIUS (m)	BOOM ANGLE (°)	ARTICULATION	
		LESS THAN 10°	GREATER THAN 10°
		LOAD (kg)	LOAD (kg)
8.24	60.0	1,400	1,400
10.85	50.0	1,150	1,150
13.12	40.0	970	970
15.01	30.0	810	810
16.23	20.0	730	730
16.78	10.0	710	710
17.13	00.0	710	710

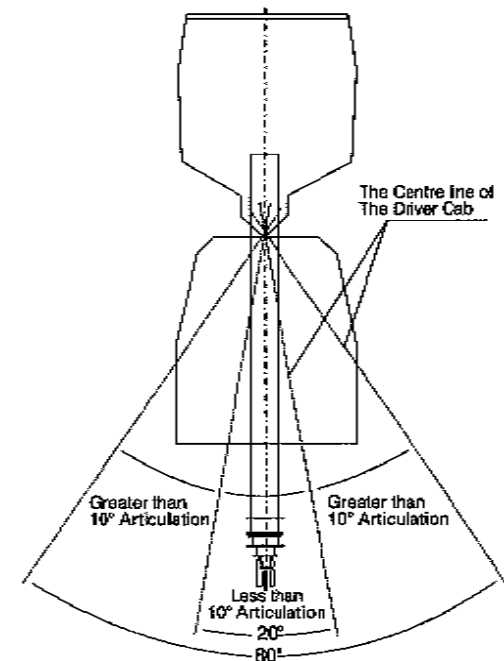
BOOM + MANUAL EXT'N MAX LENGTH 18.85(m) WITH JIB OFFSET @ 12°			
WORKING RADIUS (m)	BOOM ANGLE (°)	ARTICULATION	
		LESS THAN 10°	GREATER THAN 10°
		LOAD (kg)	LOAD (kg)
8.81	60.0	1,150	1,150
11.52	50.0	1,000	1,000
13.52	40.0	900	900
15.22	30.0	780	780
16.41	20.0	730	730
16.85	10.0	710	710
17.09	00.0	710	710

NOTES :

- 1.0 These capacities are based on the structural strength of the crane, on the condition that the crane is standing horizontally, on firm ground with no incline.
- 2.0 Total rated loads do not exceed 66.6% of tipping load.
- 3.0 In order to achieve the above length it is necessary to include the manual 3rd extension and the jib.
- 4.0 The above rated loads are shown with the jib not offset and offset. The correct choice must be established.
- 5.0 Particular care must be taken considering the articulation of the body of the crane.
- 6.0 The ratings for the jib are structural and based on the angle of the boom, not the radius.
- 7.0 The rated capacity of the crane with the jib attached will not alter if the powered boom sections are retracted with the manual extended.
- 8.0 The weight of the hook block(Main 125kg, Auxiliary 30kg), slings and all load handling devices must be added to the weight of the load.
- 9.0 Special weather caution: Do not operate crane in wind exceeding 10m/sec.

HOIST ROPE SIZE	
14mm Powerform x 95 metres length	

TYRE SIZE	
Front	4 X 12.00 - 20 18PR
Rear	4 X 12.00 - 20 18PR



WORKING RADIUS DIAGRAM

XCMG ARC-22

ARTICULATED HYDRAULIC CRANE

CHART 5

BOOM AND JIB

TOTAL RATED LOAD IN KILOGRAMS
THIS DOCUMENT SHOULD BE READ IN CONJUNCTION WITH THE ROADWAY UNIT

BOOM + JIB MAX LENGTH 16.002(m) WITH JIB OFFSET @ 0°			
WORKING RADIUS (m)	BOOM ANGLE (°)	ARTICULATION	
		LESS THAN 10°	GREATER THAN 10°
		LOAD (kg)	LOAD (kg)
5.89	60.0	1,400	1,400
7.93	50.0	1,150	1,150
9.85	40.0	970	970
11.27	30.0	850	850
12.38	20.0	770	770
13.01	10.0	710	710
13.29	00.0	710	710

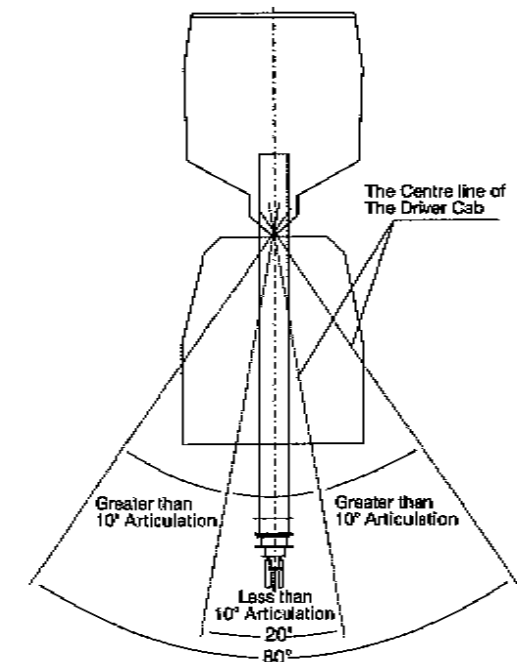
BOOM + JIB MAX LENGTH 15.962(m) WITH JIB OFFSET @ 12°			
WORKING RADIUS (m)	BOOM ANGLE (°)	ARTICULATION	
		LESS THAN 10°	GREATER THAN 10°
		LOAD (kg)	LOAD (kg)
6.30	60.0	1,150	1,150
8.38	50.0	1,000	1,000
10.02	40.0	920	920
11.56	30.0	850	850
12.54	20.0	770	770
13.07	10.0	710	710
13.25	00.0	710	710

NOTES :

- 1.0 These capacities are based on the structural strength of the crane, on the condition that the crane is standing horizontally on firm ground with no incline.
- 2.0 Total rated loads do not exceed 66.6% of tipping load.
- 3.0 In order to achieve the above length it is necessary to include the jib.
- 4.0 The above rated loads are shown with the jib not offset and offset. The correct choice must be established.
- 5.0 Particular care must be taken considering the articulation of the body of the crane.
- 6.0 The ratings for the jib are structural and based on the angle of the boom, not the radius.
- 7.0 The rated capacity of the crane with the jib attached will not alter if the powered boom sections are retracted.
- 8.0 The weight of the hook block(Main 125kg, Auxiliary 30kg), slings and all load handling devices must be added to the weight of the load.
- 9.0 Special weather caution: Do not operate crane in wind exceeding 10m/sec.

HOIST ROPE SIZE	
14mm Powerform x 95 metres length	

TYRE SIZE	
Front	4 X 12.00 - 20 18PR
Rear	4 X 12.00 - 20 18PR



WORKING RADIUS DIAGRAM

XCMG ARC-22 ARTICULATED HYDRAULIC CRANE CHART 6

MANUAL EXTENSION / RHINO
TOTAL RATED LOAD IN KILOGRAMS
THIS DOCUMENT SHOULD BE READ IN CONJUNCTION WITH THE ROADWAY UNIT

MANUAL EXTENSION MAX LENGTH 16.76(m)			
WORKING RADIUS (m)	BOOM ANGLE (°)	ARTICULATION	
		LESS THAN 10°	GREATER THAN 10°
		LOAD (kg)	LOAD (kg)
5.71	60.0	2,850	2,850
8.10	50.0	2,550	2,550
10.16	40.0	2,350	2,350
11.83	30.0	2,090	1,900
13.06	20.0	1,760	1,570
13.81	10.0	1,710	1,520
14.05	00.0	1,660	1,430

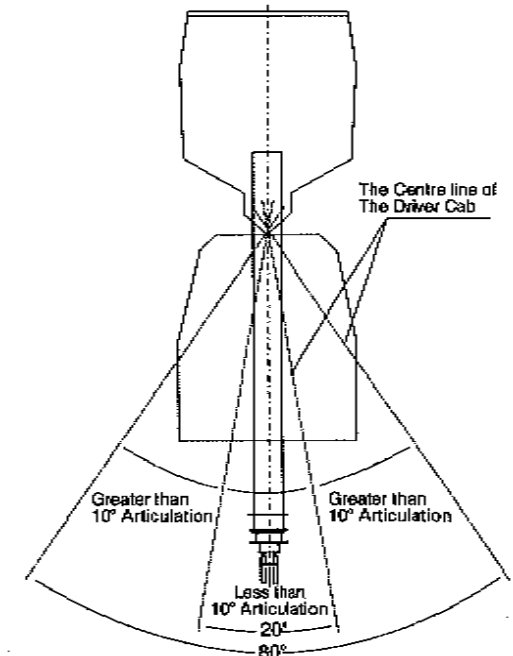
LIFTING ON RHINO HOOK MANUAL EXTENSION MAX LENGTH 17.14(m)			
WORKING RADIUS (m)	BOOM ANGLE (°)	ARTICULATION	
		LESS THAN 10°	GREATER THAN 10°
		LOAD (kg)	LOAD (kg)
5.86	60.0	2,400	2,400
8.23	50.0	2,100	2,100
10.39	40.0	1,800	1,750
12.09	30.0	1,520	1,430
13.34	20.0	1,430	1,380
14.10	10.0	1,330	1,280
14.35	00.0	1,280	1,260

NOTES :

- 1.0 These capacities are based on the structural strength of the crane, on the condition that the crane is standing horizontally on firm ground with no incline.
- 2.0 Total rated loads do not exceed 66.6% of tipping load.
- 3.0 In order to achieve the above condition it is necessary to extend the manual extension.
- 4.0 Particular care must be taken considering the articulation of the body of the crane.
- 5.0 The ratings for the manual extension are structural and based on the angle of the boom, not the radius.
- 6.0 The rated capacity of the crane with the manual extension extended will not alter if the powered boom sections are retracted whilst the manual extension is extended.
- 7.0 The weight of the hook block(Main 125kg, Auxilliary 30kg), slings and all load handling devices must be added to the weight of the load.
- 8.0 Special weather caution: Do not operate crane in wind exceeding 10m/sec.

HOIST ROPE SIZE	
14mm Powerform x 95 metres length	

TYRE SIZE	
Front	4 X 12.00 - 20 18PR
Rear	4 X 12.00 - 20 18PR



WORKING RADIUS DIAGRAM

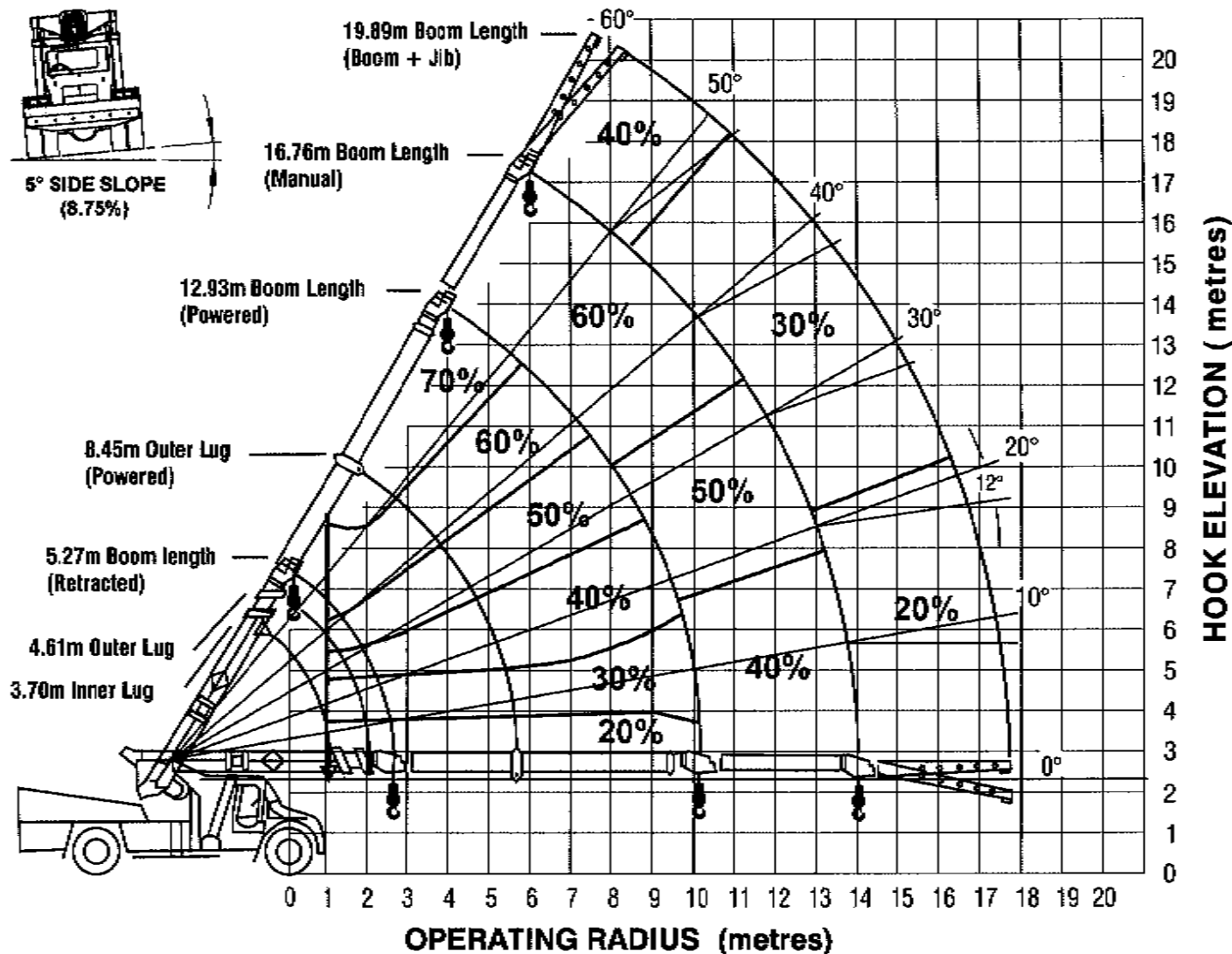
XCMG ARC-22

ARTICULATED HYDRAULIC CRANE

CHART 7

PERCENTAGE DERATION LOAD CHART AT 5° SIDE SLOPE

TOTAL RATED LOAD IN KILOGRAMS
THIS DOCUMENT SHOULD BE READ IN CONJUNCTION WITH THE ROADWAY UNIT



Note:

1. Percentage deration chart is based on 66.6% stability as per AS 1418.5 with the crane on a firm side slope of 5° (8.75% Gradient).
2. The percentage deration is dependent upon the location of the lifting point on the boom.
3. The percentage deration should be applied to the Rated Capacity as read off the Rated Capacity Charts for the applicable machine and boom configuration.
4. Ensure before operating on side slopes the operator has a thorough understanding of both the ARC-22 Information Package and Rated Capacity Manual.